

# BELRAY

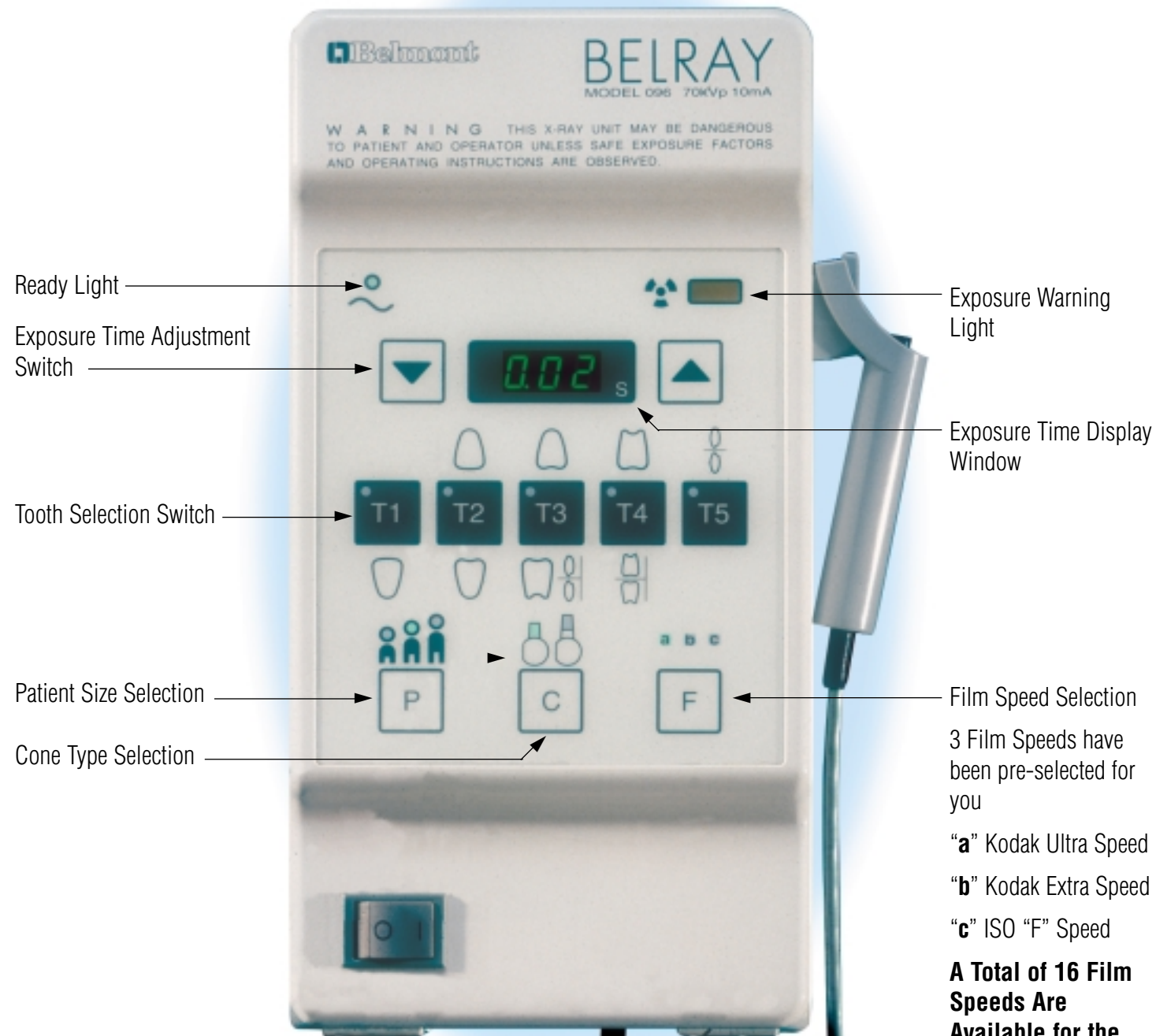
The Technique is Yours —  
The Technology is Belmont



Selective Dental Radiography

## A Simple Selection of Technique Factors for Quality, High Contrast Radiographs

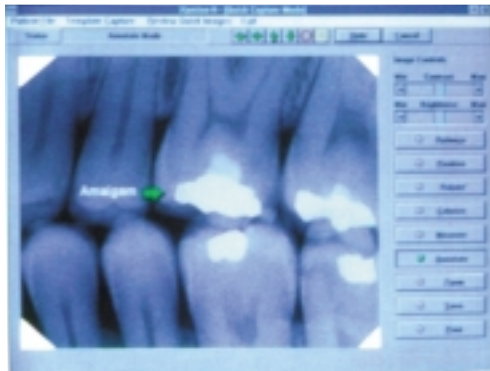
1. Select Patient Type
2. Select Tooth Type
3. Take Exposure



- Ready Light
- Exposure Time Adjustment Switch
- Tooth Selection Switch
- Patient Size Selection
- Cone Type Selection
- Exposure Warning Light
- Exposure Time Display Window
- Film Speed Selection

The Control is mounted separately from the arm/head for in-room or remote mounting and to simplify pass-thru installations.

3 Film Speeds have been pre-selected for you  
**"a"** Kodak Ultra Speed  
**"b"** Kodak Extra Speed  
**"c"** ISO "F" Speed  
**A Total of 16 Film Speeds Are Available for the Three of Your Choice.**

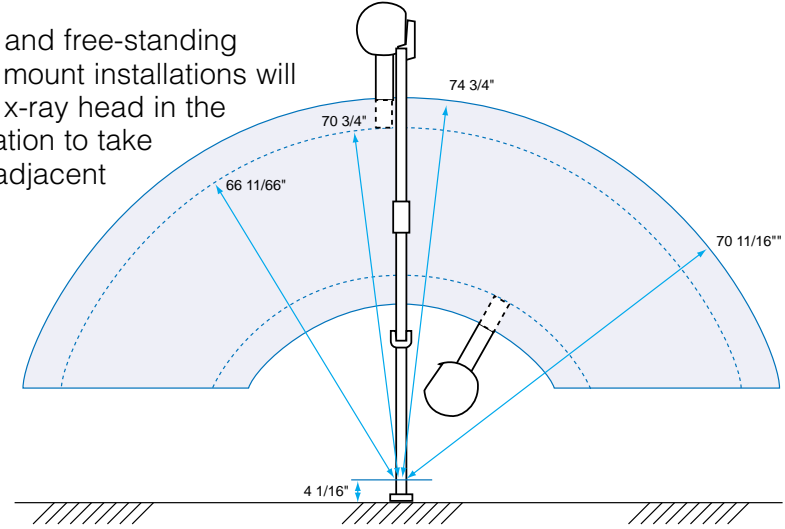


BELRAY is compatible with most digital imaging radiographic systems; the exposure time can be set as low as 0.02 sec., the equivalent of 1.2 impulses.



BELRAY profile and line-of-sight accurate alignment results in reproducible, high contrast, crisp radiographs with excellent image quality. The optional long cone is used for the paralleling film technique.

Pass-thru and free-standing cabinetry mount installations will place the x-ray head in the exact location to take x-rays in adjacent rooms.



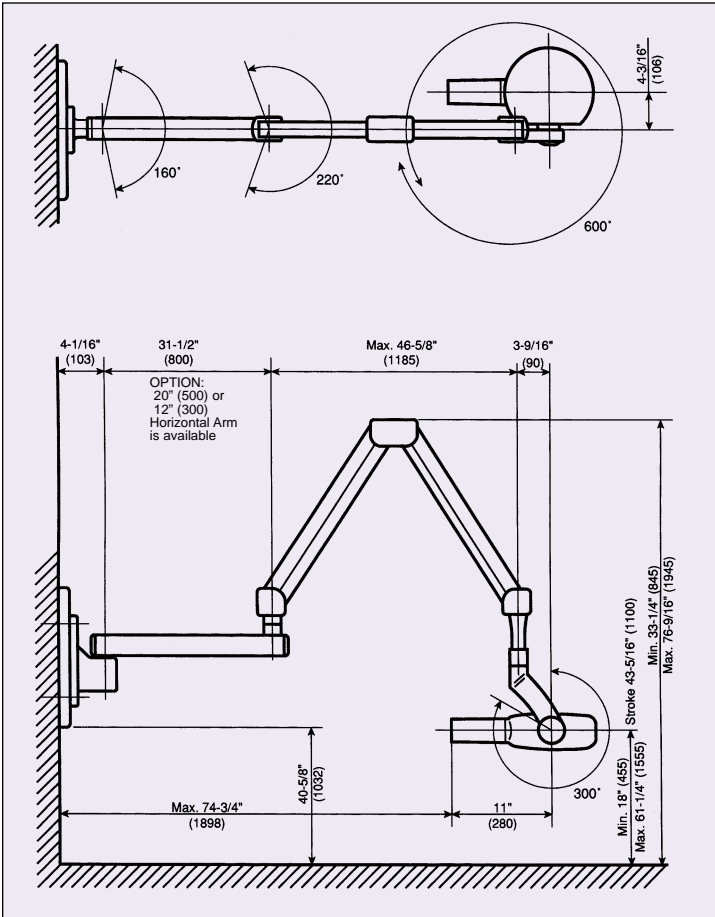
Microprocessor selects the optimal exposure time based on patient and film type cone length, and tooth to be radiographed.  
 The manual mode will personalize the film density for you; there are a possible 58 density settings between 0.02 sec. and 3.0 sec.



# BELRAY

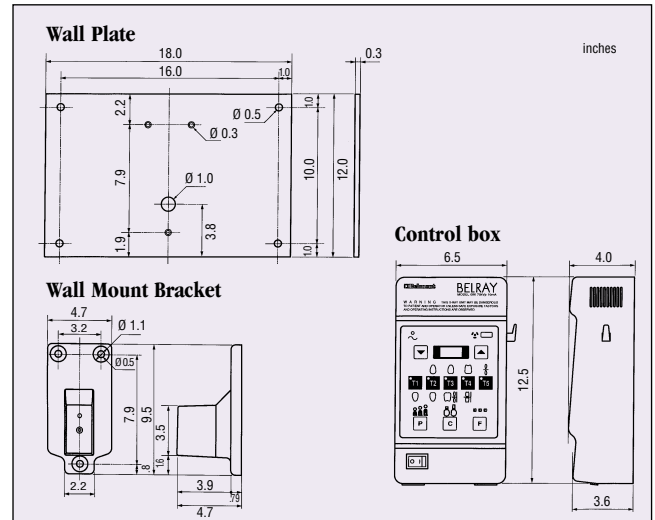
## Intra-oral X-Ray System

### Dimensions

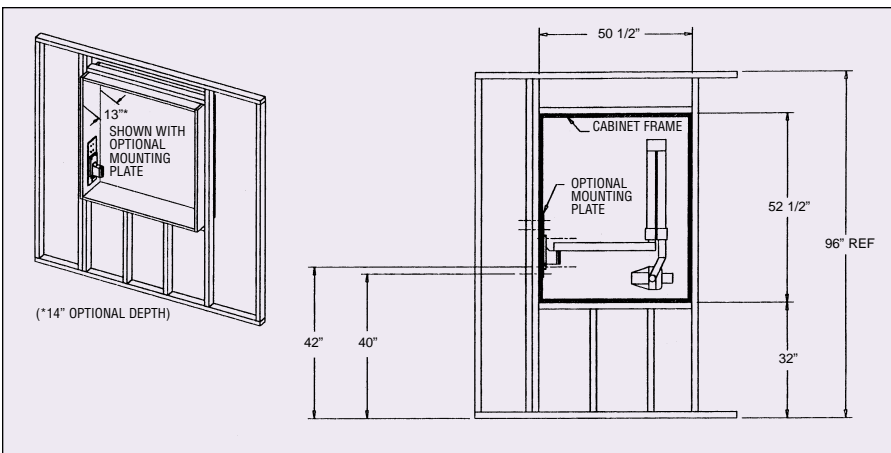


### Technical Specifications

- 70kVp, 10mA
- 0.8mm x 0.8mm Focal Spot
- Line Voltage Range: 108V AC~132V AC
- Rated Line Voltage: 120V AC
- Rated Line Current: 10.8 A
- Exposure Time: 0.02~3.0 sec.
- Minimum Filtration in Useful Beam: 2.1mm AL Equiv. at 70kVp
- Cone Length: 8 in. (204mm)
- Long Cone: 12 in. (305mm)



### Cabinet Rough-in Dimensions



Belmont Equipment  
A Division of Takara Belmont USA, Inc.  
101 Belmont Drive, Somerset, NJ 08873  
(732) 469-5000

**1-800-223-1192**  
[www.belmontequip.com](http://www.belmontequip.com)