

Ana-Bel™ Panoramic & Ana-Bel CM™ Panoramic/Cephalometric X-Ray Systems



NEXT GENERATION
DC-PANORAMIC X-RAY SYSTEM

 Belmont®

World's fastest panoramic X-Ray machine

Exposure time is only 7 seconds

ANA-BEL™ X-ray systems produce Panoramic, TMJ and Maxillary Sinus images with sharp contrast and superior clarity.



EXPOSURE MODE

Panoramic

- Adult, Child, Orthoradial

Maxillary Sinus

TMJ

- Lateral: 4 sections,
Frontal: 2 sections

EXPOSURE TIME

Panoramic

- 7.0sec (Short time exposure)
- 12.0sec (Normal exposure)

Maxillary

- 8.0sec

TMJ

- Lateral 12.0sec,
Frontal 6.0sec



Three Panoramic Modes

Adult
Child
Orthoradial



TMJ

TMJ Lateral 4 Sections
TMJ Frontal 2 Sections

- ◆ High frequency X-ray generator minimizes patient exposure to radiation.
- ◆ 60-90 kVp system; adjustable in 1kV increments.
- ◆ 0.5mm X 0.5mm focal spot produces excellent image clarity.
- ◆ ANA-BEL™ may be used as either a film based or digital panoramic X-ray system.
- ◆ Push button motorized X-ray head positioning.



Control Panel

Easy to read LCD display and touchpad control



Adjustable Mirror

Both operator and patient can check the patient positioning by an adjustable mirror.



Easy and Accurate Positioning

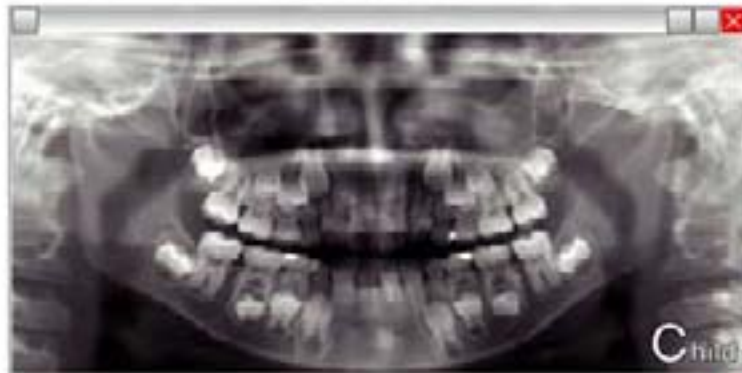
Three bright laser beams make patient positioning extremely easy and accurate.



Motorized Positioning Beams and Overhead

Movement of the positioning beams and the overhead height are motorized for optimum ease of positioning.

DIGITAL



Digital Sensor Unit

With this high-resolution CCD sensor the ANA-BEL instantly becomes a state of the art Digital Panoramic X-ray machine.

CEPHALOMETRIC



Cephalometric is available for both right or left side installation to fit your location. (Film model only) Lateral and PA Cephalometric projections may be taken.

SPECIFICATIONS

Technical Specifications	
Line Voltage	120Vac 60Hz
Tube Voltage	60kV~90kV (1kV step)
Tube Current	2mA~12mA (2mA step)
X-ray Tube	D-052SB (Focus: 0.5mm X 0.5mm) Toshiba
High Frequency Generator	High Frequency Inverter (100kHz)
Total Filtration	2.5mAL min.
Exposure Mode	Panoramic (Adult, Child, Orthoradial), Maxillary Sinus TMJ Lateral 4 sections, TMJ Frontal: 2 sections Cephalometric: PA, LA
Exposure Time	Panoramic: 12 sec or 7 sec, Maxillary Sinus: 8 sec TMJ 4 sections: 3 sec (X4), TMJ 2 Frontal: 3 sec (X2) Frontal: 0.1 to 3.2 Lateral: 0.1 to 3.2
Magnification	Panoramic: 1.15 to 1.32, Maxillary Sinus: 1.2 to 1.3 TMJ Lateral 4 Sections: 1.2, TMJ Frontal 2 Sections: 1.8
Positioning Beam	3 Laser Beams (Focus, Median, Frankfort)
Positioning Device	Panoramic: Bite Piece and Head Holding Rod TMJ: Ear Rod
Control Panel	LCD Display, Touchpad Controls
Film size	Panoramic: 6" X 12" (15cm X 30cm) Cephalometric: 8" X 10"
Up and Down of Sliding Unit	Electric Power Drive

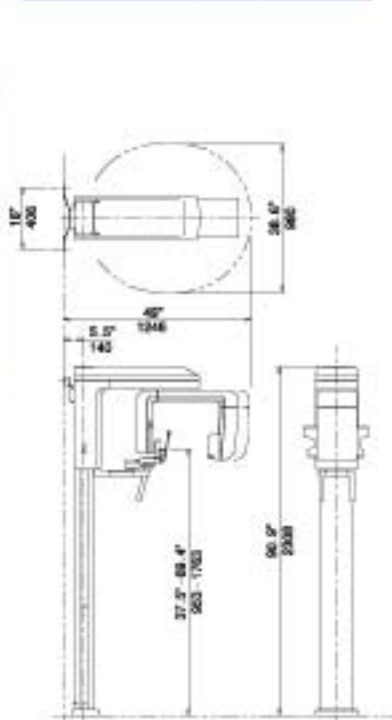


The state of the art CCD sensor unit.

Color depth ; 12 bit
 Static resolution ; 6 line pairs per mm
 Signal to noise ratio ; 200:1
 Interface ; Ethernet 10/100 Base-T

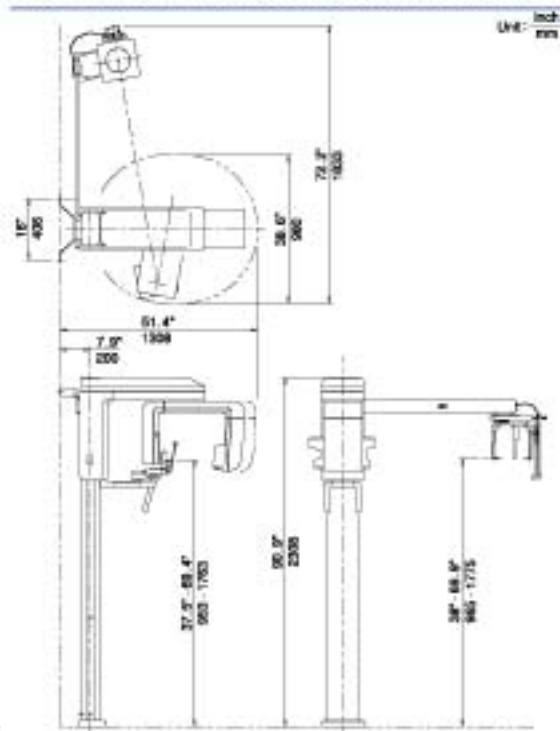
DIMENSIONS

Ana-Bel™ Panoramic



Optional free standing base.

Ana-Bel CM™ Panoramic/Cephalometric



2-year limited warranty.

Specifications, colors, pricing and availability are subject to change without notice.
 ©copyright Belmont Equipment Corp.



www.belmontequip.com

BELMONT EQUIPMENT, Division of Takara Belmont, USA, Inc.
 101 Belmont Drive Somerset, New Jersey 08873 U.S.A.
 TEL.: (732) 468-5000 / (800) 223-1192 FAX.: (732) 526-6322 / (800) 260-7504
 TAKARA CO. CANADA LTD.
 2076 S. Sheridan Way, Mississauga, Ont., L5J2M4, Can.
 TEL.: (905) 822-2755 / (800) 268-5351 FAX.: (905) 822-8203



Printed in Japan 0511MA BRH00026

ANA-BEL 

