

Simply
Outstanding

Digital Panoramic X-ray unit

Bel-Cypher



Bel-Cypher

Panoramic image (adult)



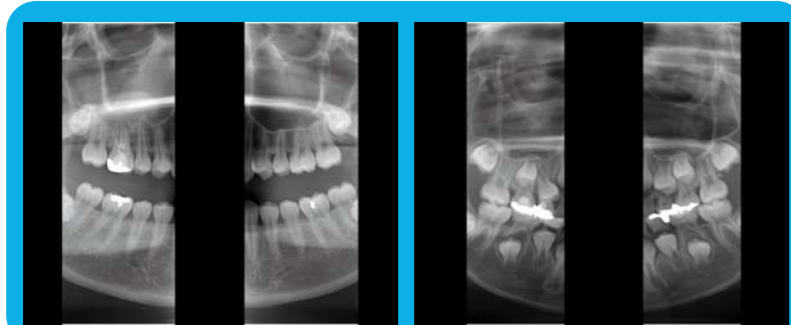
Images typical of what you will produce in your practice.

Panoramic image (child)



Bel-Cypher images do not need to be digitally enhanced to get a sharp image.

Panoramic Bitewing



The special "Panoramic Bitewing" view allows for interproximal caries detection not normally available from a typical pan view. Especially useful for difficult patients.



So Simple,
Bel-Cypher's high resolution sensor and software produces crisp clear sharp image even with less than ideal patient positioning.



High resolution.
The secret to the Bel-Cypher's easily attainable yet excellent images lies in the exclusive high resolution sensor package and TWAIN driver software.

TMJ 4section (side view)



state of the art CCD sensor unit.

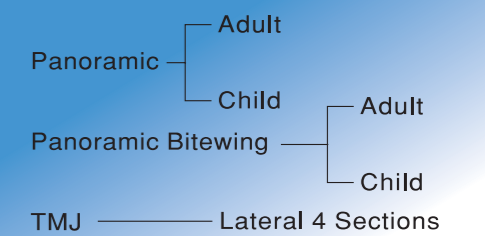
Color depth ; 12 bit
Static resolution ; 6 line pairs per mm
Signal to noise ratio ; 200:1
Interface ; Ethernet 10/100 Base-T

Make your life simple with Bel-Cypher

Bel-Cypher



EXPOSURE MODE



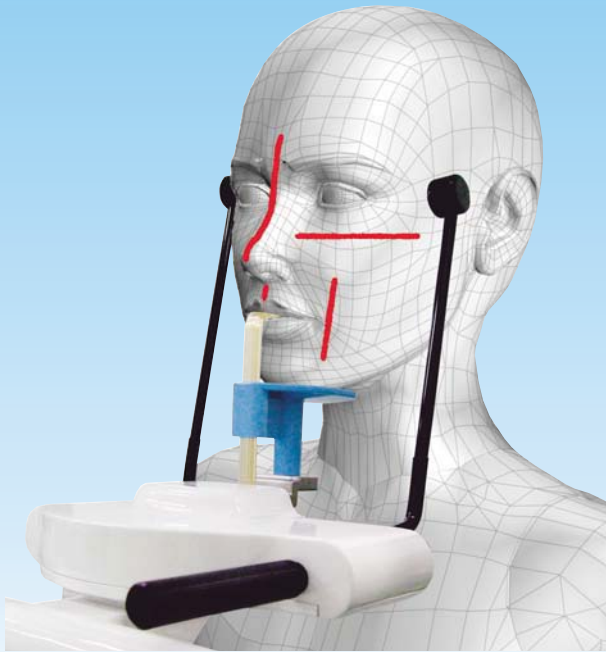
EXPOSURE TIME

Panoramic	10.0sec
Panoramic Bitewing	5.0sec (both sides)
TMJ	2.5sec(X4)

Shown with optional free standing base

Simple Operation

Outstanding Image Quality



● Simple accurate positioning

Three bright red laser positioning beams allow you to accurately line up the patient.



● Simple positioning with motorized focus laser beams and one touch glide overhead.



● Intuitive interactive user interface.

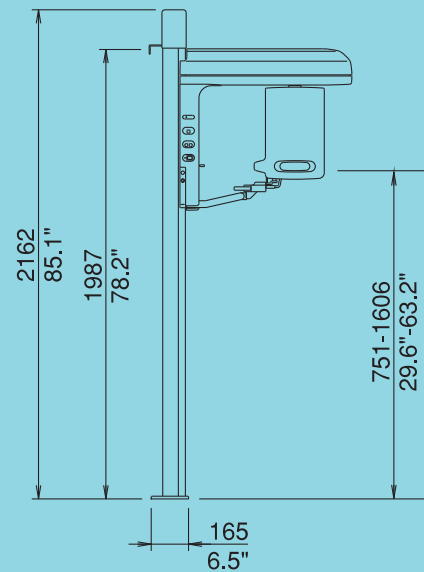
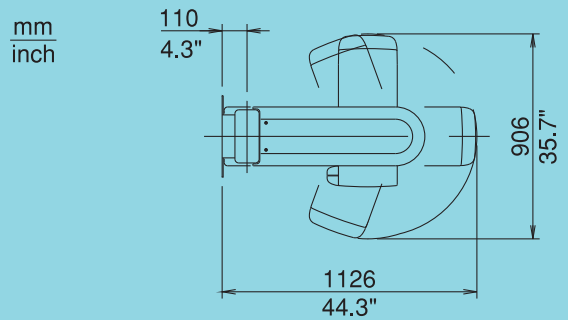
Auto selects exposure settings with just a mouse click.

SPECIFICATIONS

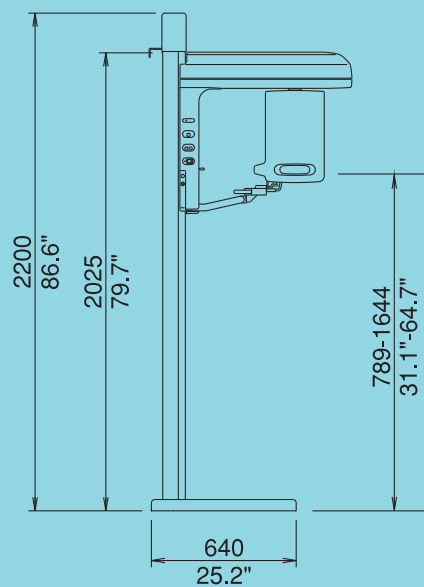
Model	Bel-Cypher
Power Voltage	120 Vac 60Hz
Power Capacity	1.5kW
H.T. Generator	High frequency Inverter (100kHz)
X-ray Tube Voltage	60kV - 80kV (1kV step)
X-ray Tube Current	2 to 8mA (1mA step)
X-ray Tube	D-052SB (Toshiba)
X-ray Tube Focus	0.5 X 0.5mm
Total Filtration	2.5mmAl (minimum)
CCD Specifications	Color depth: 12bit Static resolutions: 6 line pairs per mm Signal to noise ration: 200:1
Exposure Mode	Panoramic (Adult and Child) Panoramic Bitewing (Adult and Child) TMJ Lateral 4 sections
Exposure time	Panoramic: 10 sec Panoramic Bitewing: 5.0sec (both sides) TMJ 4 sections: 2.5 sec (X4)
Magnification	Panoramic: 1.2 to 1.3 Panoramic Bitewing: 1.2 to 1.3 TMJ lateral 4 sections: 1.2
Patient Positioning Beam	3 Laser beams (Focus, Median, Frankfort)
Positioning tools	Panoramic: Bite Piece and Head Holding Rod TMJ: Ear Rod
Weight	364lb (165kg) w/o optional free standing base

TWAIN compatible
Interface : Ethernet 10/100 Base-T
Optional free standing base
* Requires PC for operation

DIMENSIONS



Add 1/2" to height, if you use a flat plate style free standing base.



with free standing base



www.belmontequip.com

BELMONT EQUIPMENT, Division of Takara Belmont, USA, Inc.
101 Belmont Drive Somerset, New Jersey 08873 U.S.A.
TEL.:(800)223-1192 FAX.:(732)526-6322/(800)280-7504

TAKARA CO ,CANADA LTD.
2076 S. Sheridan Way, Mississauga, Ont., L5J2M4, Can.
TEL.:(905)822-2755/(800)268-5351 FAX.:(905)822-6203