

 Belmont®

# ACUTRAC™

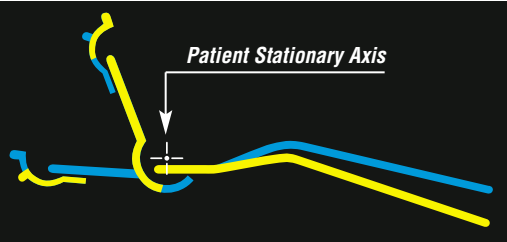
**DENTAL CHAIR**



**M**ovement of the AcuTrac backrest simulates the natural body movement of the patient.

The backrest mechanism design minimizes the tendency for the patient's back to slide as the seat back is reclined.

Oral cavity position and patient comfort depend on the accurate tracking of patient and chair.



The Belmont Hydraulic System moves the back and base to provide a soft landing for the patient- not the often experienced abrupt stopping of the back and base.

AcuTrac's cast aluminum base is designed for stability and function; the dentist and assistant work efficiently in any position.

### Standard Features:

- Synchronous Backrest
- Articulating Dual Axis Headrest
- Cast Aluminum Base
- UltraLeather™ Upholstery
- Swing-Away Armrests
- Programmable Foot Control
- Short Pump Cover

### Accessories:



**Flat-Style Headrest**  
with moveable magnetic wedge cushion.



**Touchpad**  
Chair or unit mounted touchpads can be used in addition to the foot control for adjusting chair position.

### Sling-Style Back/Arm Support

- Comfort and support for the patient.
- Backrest style allows the dentist close access to the patient.

#### Articulating Dual Axis Headrest

Adjustable dual axis rotation allows for optimum positioning of the oral cavity without the need to reposition the chair.



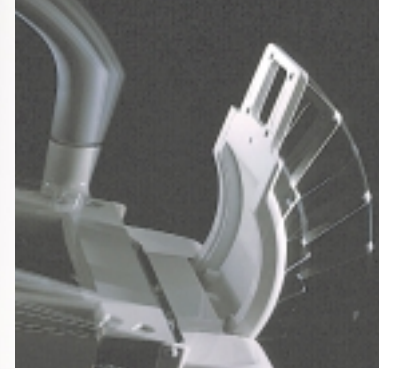
#### Safety Shut-off Plate

Disables Seat down/ Backrest recline functions to prevent injury to the operator or damage to items beneath the plate.



#### Short Pump Cover (Standard)

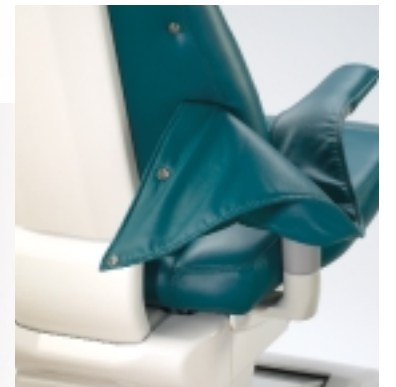
For use with a standard floor utility box.



The synchronous movement of the backrest and seat perfectly fits the patient's body motion.



The optional S-99 AcuTrac has a rear attachment plate for a swing mounted cuspidor or assistant instrument arm.



Slings can be easily removed for cleaning or replacement.

### Wing-Style Back Support

- Comfort and support for the patient.

#### Seat Rotation Lock

Lever locks seat into desired position.



#### Foot Control

Hands-free positioning of the patient. 2 programmable positions plus an entry/exit position, last position and a manual disc-type positioning control.



#### Long Pump Cover (Optional)

Streamlined dual purpose cover serves as the chair pump cover and the cover for floor utilities.



The electro-hydraulic nerve center of the chair incorporates a feature for adjusting the speed of the seat and backrest movements.



Seamless Upholstery

Seamed with Slings Upholstery

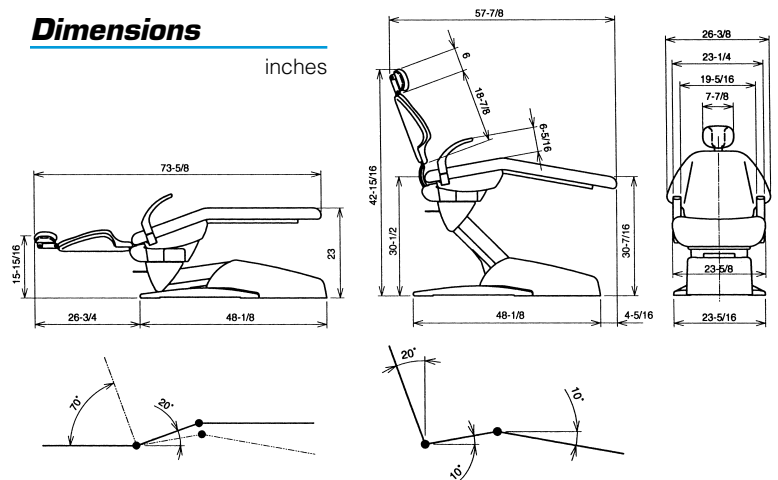
Elite Upholstery

Seamless with Slings Upholstery

## Specifications

Lifting/Lowering mechanism:	Hydraulic, Cantilever type
Initial height/stroke:	15- 1/2" (395mm)/15" (380mm)
Backrest Reclining:	Axis mechanism
Backrest Reclining angle:	0° (Horizon) – 70°
Seat tilting:	Synchronized with Backrest
Seat tilting:	10° – 20 °
Preset positions:	Microcomputer Controlled P1, P2, LP (Last position) & AR (Auto-return)
Chair rotation angle:	30° Each (Left & Right)
Headrest:	Dual axis type
Safety switch:	Under the main link
Emergency stop:	Any Switch can cancel the automatic movement

## Dimensions



Belmont Equipment  
 A Division of Takara Belmont USA, Inc.  
 101 Belmont Drive, Somerset, New Jersey 08873  
 (732) 469-5000

**1-800-223-1192**  
[www.belmontequip.com](http://www.belmontequip.com)

ETL listed  
 Models, specifications and prices are subject to change without notice