

***X-CALIBUR V***<sup>TM</sup>  
*Dental Chair*

*Model Bel-50*

■ Plush Without Slings (PWOS)



■ Standard Without Slings (SWOS)



■ Plush With Slings (PWSL)



■ Standard With Slings (SWSL)



**Standard Features:**

- Thin, narrow backrest design permits close access to the oral cavity.
- Membrane chair controls are accessible from both sides of the backrest. The sealed switches are easily cleaned.
- Dual axis headrest re-positions the patient oral cavity to view the upper and lower arches, without the need of changing the backrest position.
- Select from four upholstery styles and a wide variety of colors for the creation of a signature look for your dental practice.
- Reliable Belmont hydraulic design.
- Seat rotates 30° left and right of center to accommodate different working styles and to maximize access to intraoral x-ray systems.
- Safety shut-off plate disables chair operations to prevent injuries.
- Armrests swing-out for patient entry and exit from the chair.
- Programmable foot and backrest controls.

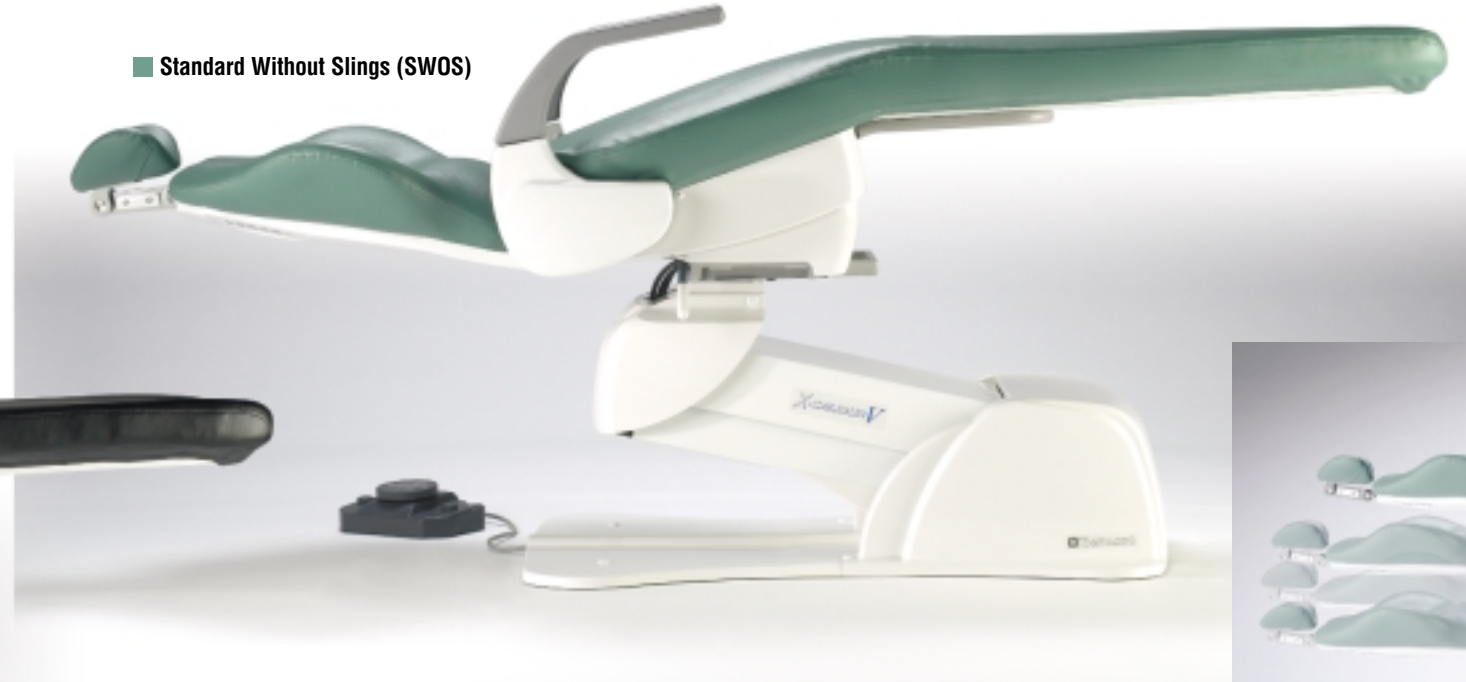
■ Plush Without Slings (PWOS)



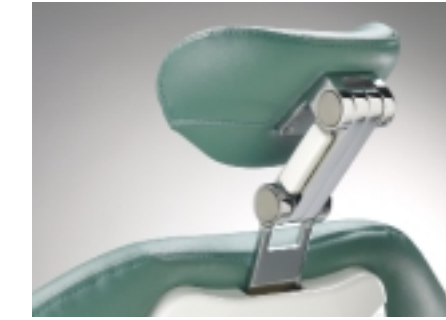
■ Plush With Slings (PWSL)



■ Standard Without Slings (SWOS)



■ Standard With Slings (SWSL)



Articulating dual axis headrest re-positions the patient oral cavity to view the upper and lower arches, without the need of changing the backrest position.



Optional flat-style headrest with moveable magnetic wedge cushion.



Armrest slings are easily removed for cleaning.



Patients can be positioned for treatment as low as 13 3/8" or as high as 28 3/8", to help you to work ergonomically.



Optional chair or unit mounted touchpads provide the operator with additional access to seat and backrest positioning controls.

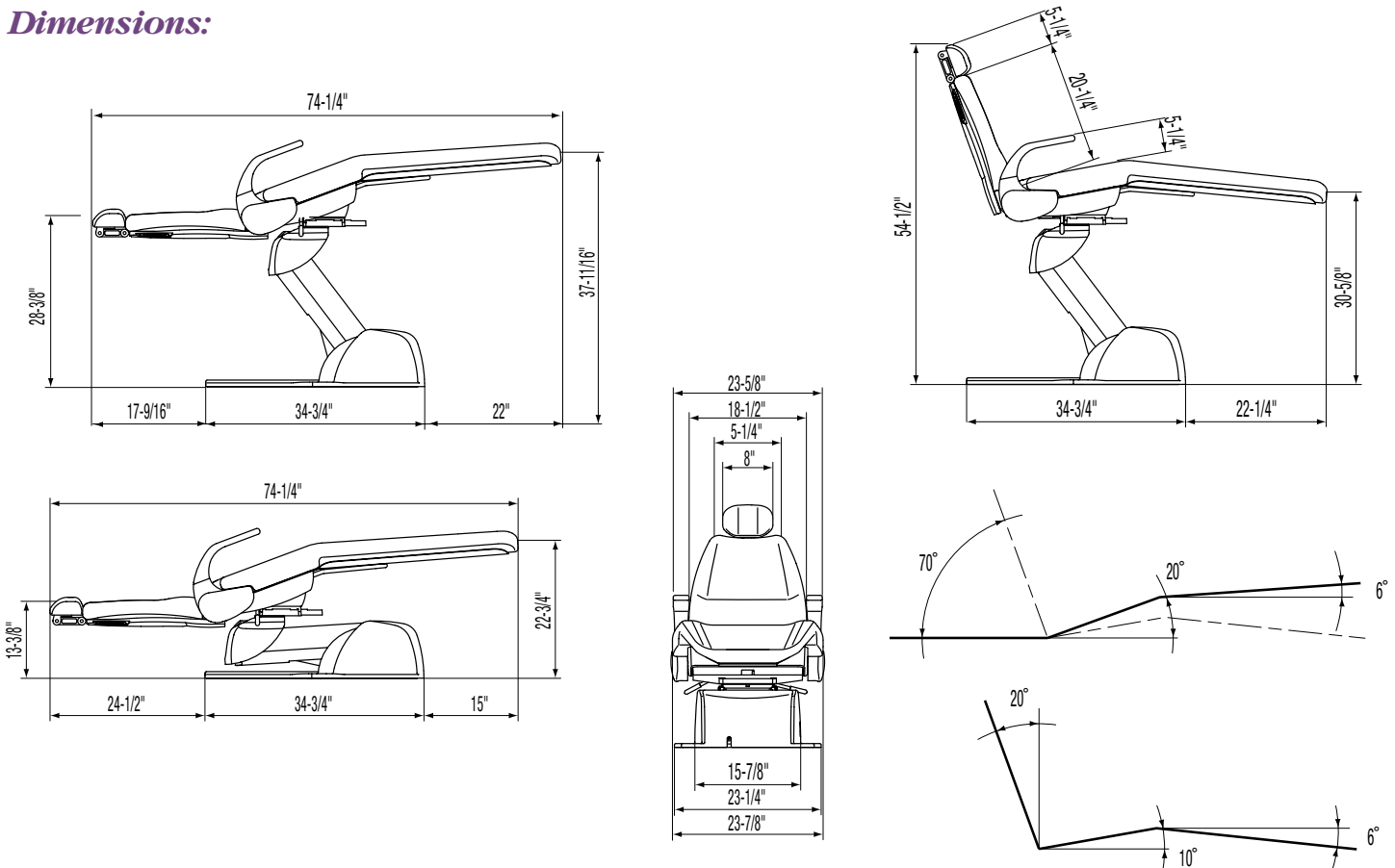


Dual membrane chair controls give both the Doctor and Assistant access to seat and backrest controls. Sealed membrane surfaces are easily cleaned.



Standard chair adapters are used for mounting your Belmont delivery system to a new X-Calibur V™ dental chair.

## Dimensions:



## Specifications:

Lifting/Lowering Mechanism:	Hydraulic, Cantilever type
Initial Height/Stroke:	15.5"/ 15"
Backrest Reclining Angle:	0° (Horizon) - 70°
Seat Tilting:	10° - 20°, synchronized with backrest.
Preset Position:	Microcomputer control. One (1) Preset Position & Auto-return.
Chair Rotation Angle:	30° Left/ 30° Right of Centerline
Headrest:	Dual axis type
Safety Shut-off Plate:	Under the main link
Emergency Stop:	Any switch can cancel chair movement.

### 5 Year Warranty

On mechanical and electrical parts. Applies to Belmont chairs that are purchased installed and serviced by employees of an authorized Belmont dealer.

Belmont reserves the right to change specifications and pricing without notice.

All rights reserved. © Belmont Equipment.

BRH00015 REV 080904



Belmont Equipment  
A Division of Takara Belmont USA, Inc.  
101 Belmont Drive, Somerset, NJ 08873  
(732) 469-5000

**1-800-223-1192**  
[www.belmontequip.com](http://www.belmontequip.com)