

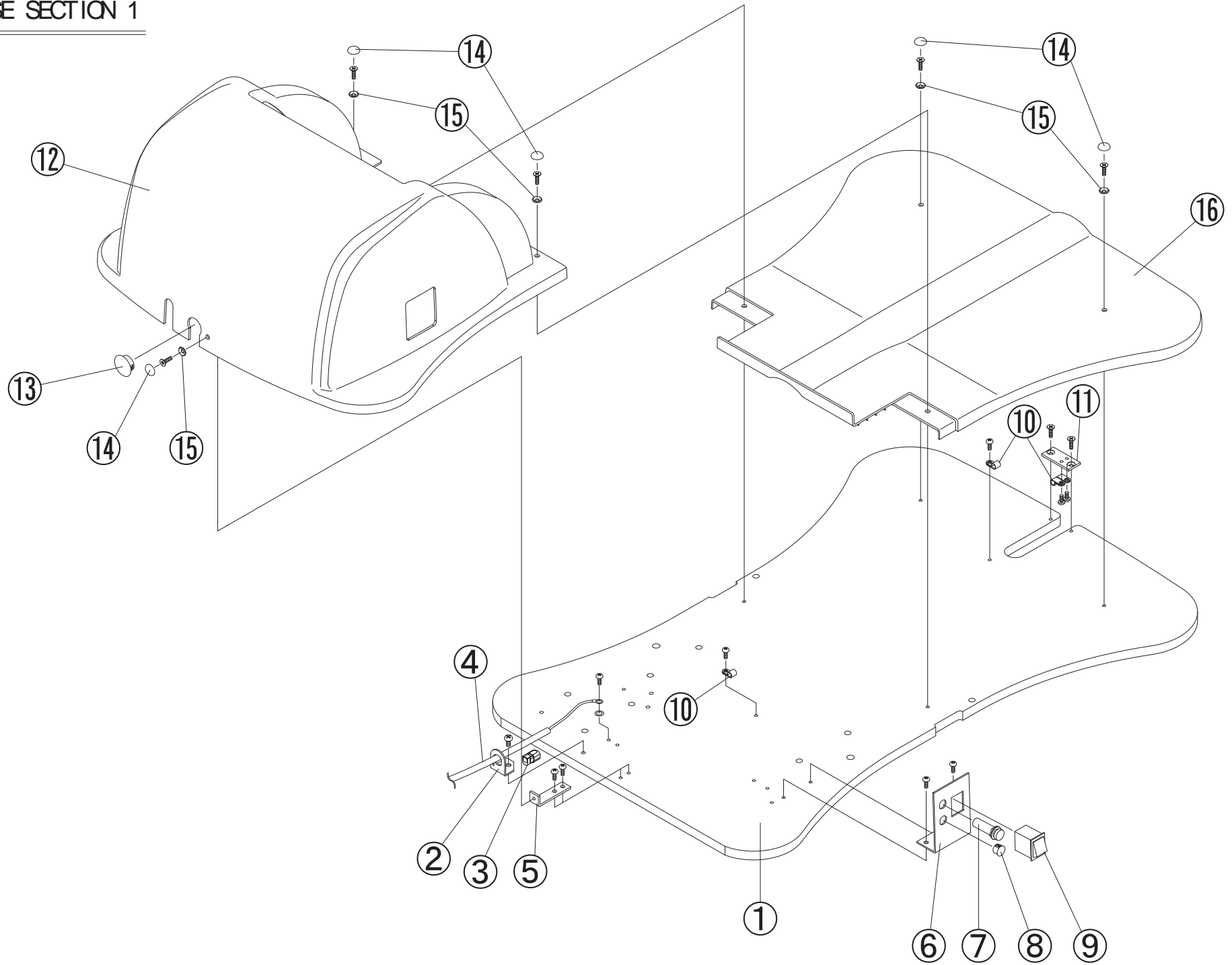
X-CALIBUR V (BEL50) PART LIST

- 1 Base Section 1
- 2 Base Section 2
- 3 Lift Mechanism Section
- 4 Flange, Arm-rest & Side Frame
- 5 Reclining Mechanism Section
- 6 Seat Section
- 7 Backrest Section
- 8 Headrest Section
- 9 Foot Control Switch
- 10 PC Board Section

Base Section 1

ID. NO.	Description	Qty	Parts No.
1	Base Plate	1	DACA12A0
2	Wire Bracket	1	F-31900
3	Strain Relief	1	AFNA70A0
4	Power Cord	1	X-59990
5	Pump Cover Bracket	1	DACR77A0
6	Switch Bracket	1	DAQJ07A0
7	Fuse(10A 314010)	1	X-69860
	Fuse Holder(F-220 01-A1)	1	DEQR01A0
8	Plug	1	AFNA73A0
9	Switch	1	BELA20A0
10	Clamp	4	XX-387240010
11	Plate	1	DACR76A0
12	Pump Cover	1	HBCE63A0
13	Hole Plug DP1000	1	DACR83A0
14	Cap for screw (white)	5	DEAS15A0
15	Washer (white)	5	DEAS14A0
16	Base Cover	1	HBCE64A0

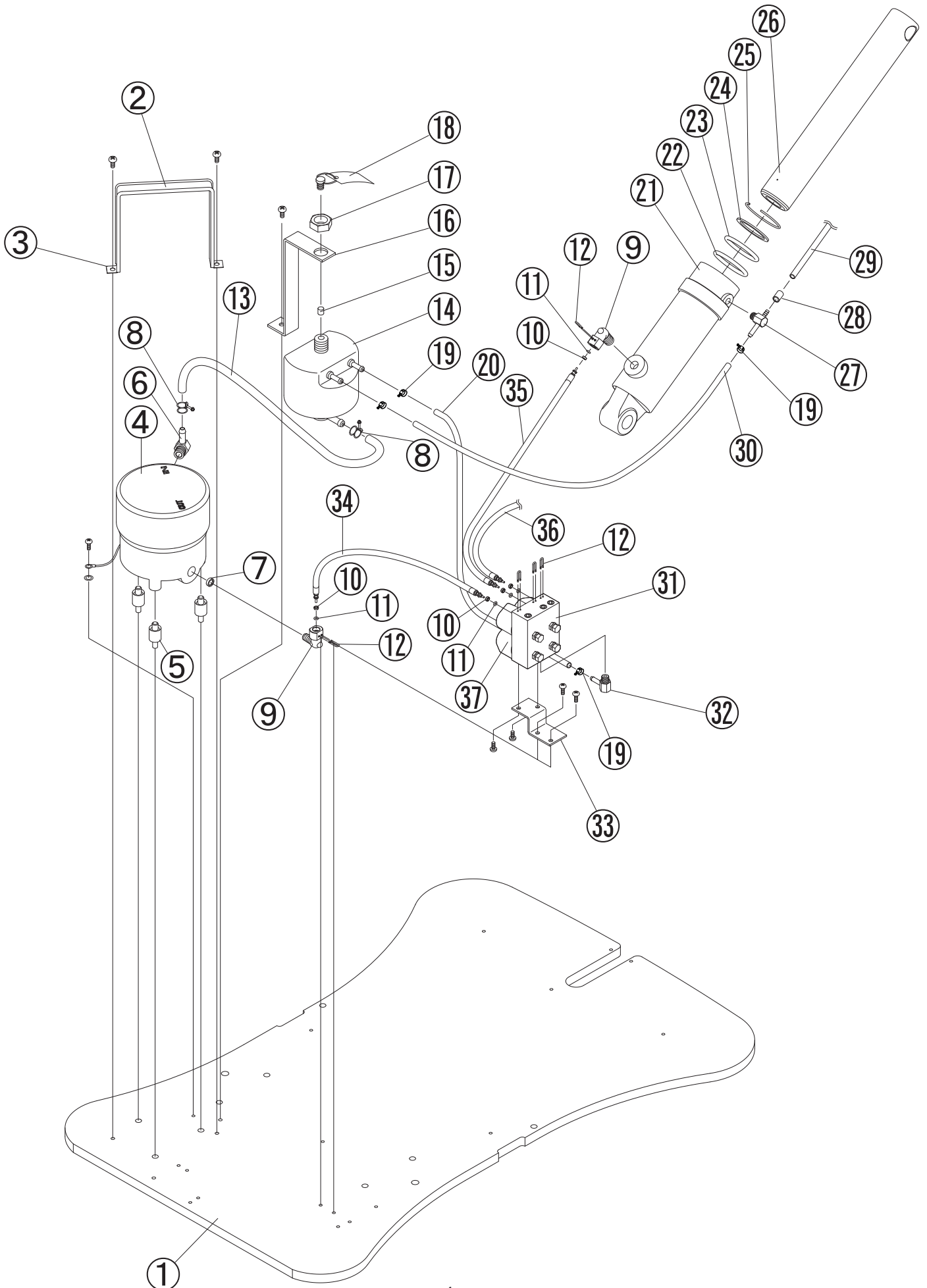
1 .BASE SECTION 1



Base Section 2

ID. NO.	Description	Qty	Parts No.
1	Base Plate	1	DACA12A0
2	Motor Clamp Belt (rubber)	1	S-30200
3	Motor Clamp (metal)	1	AABN13A0
4	Motor Pump Assembly (115V 5LP)	1	DETS17A0
5	Motor Mount (rubber)	3	R-12140
6	L shaped Motor Nipple	1	AANF60A0
7	Strainer	1	F-61330
8	Hose Clamp	2	ABNH95A0
9	Elbow Joint 01	2	SALA06A0
10	O-Ring Retainer	5	AANF59A0
11	O-Ring Retainer	5	AEND86A0
12	U shaped Pin	5	ABNL93A0
13	Low Pressure Hose (oil reservoir to Motor)	0.32m	AENL15A0
14	Oil Reservoir	1	C-32440
15	Oil Filter	1	F-61420
16	Oil Reservoir Bracket	1	DACJ52A0
17	Nut	1	AANK19A0
18	Rubber Plug	1	F-61701
19	Wire Clamp	4	ABNH94A0
20	Low Pressure Hose 400mm (oil reservoir to solenoid valve unit)	0.4m	AENL14A0
21	Base Cylinder	1	K-30120
22	O-Ring (T-127)	1	F-34670
23	O-Ring (P-45)	1	X-63460
24	Felt Ring	1	F-34270
25	Felt Ring Retainer	1	F-34810
26	Ram Shaft (44. 7 × 308L)	1	ERPJ05A0
27	T-Joint	1	Q-35850
28	Sleeve	1	X-55140
29	Low Pressure Hose (UN-1/4 4-6 Black)	1	X-55130
30	Low Pressure Hose (5 × 9 × 1B) 400mm	0.4m	AENL14A0
31	Solenoid Valve Assembly (115V)	1	X-80830
32	L shaped Hose Nipple	1	Q-34010
33	Solenoid Support Bracket	1	G-00630
34	High Pressure Hose (φ 3 × 300mm)	1	AGND43A0
35	High Pressure Hose (φ 3 × 300mm)	1	AENL74A0
36	High Pressure Hose (φ 3 × 1400mm)	1	U-50350

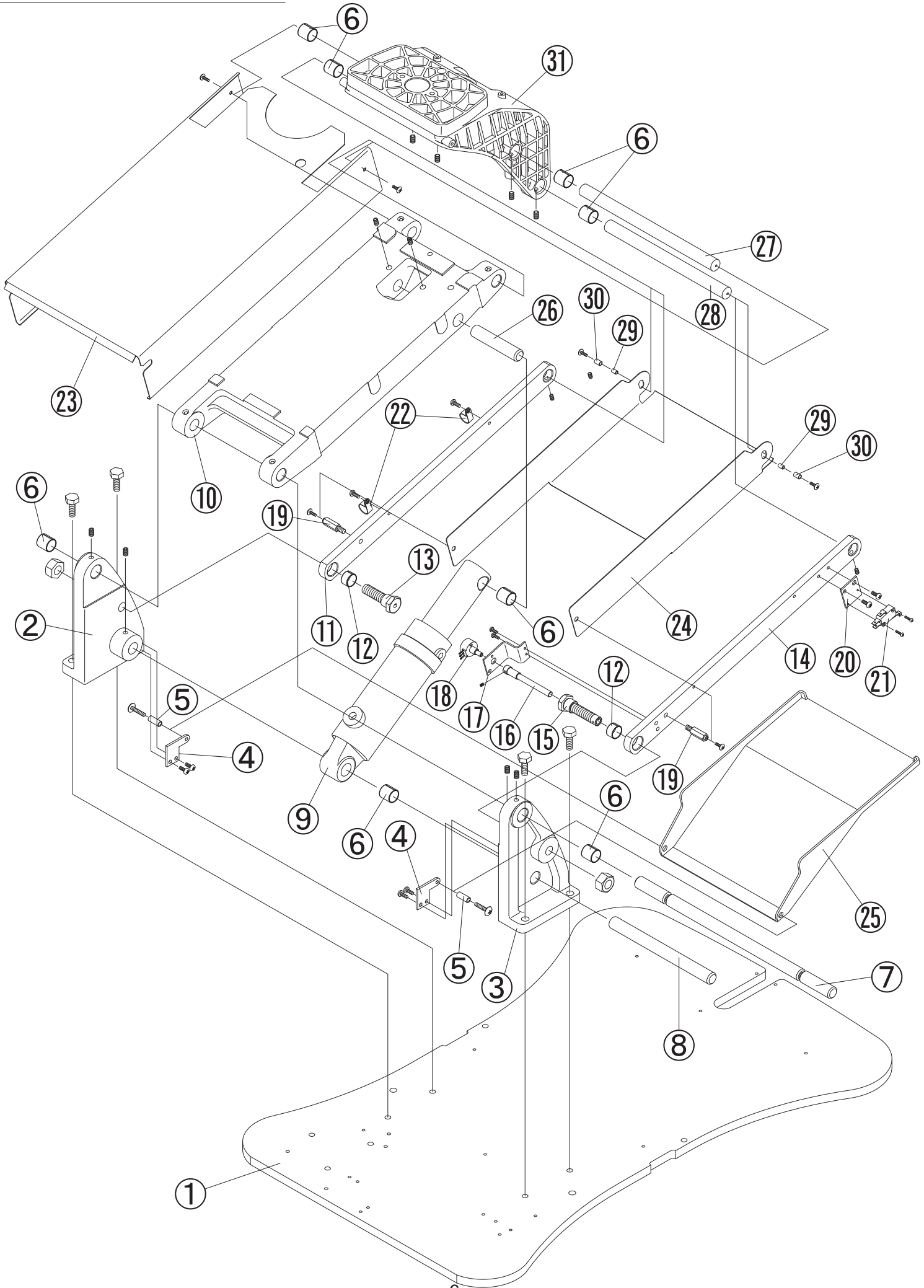
2 .BASE SECTION 2



Lift Mechanism Section

ID. NO.	Description	Qty	Parts No.
1	Base Plate	1	DACA12A0
2	Link Bracket (right)	1	DAQE05A0
3	Link Bracket (left)	1	DAQE06A0
4	Bracket for Sub-Link Cover	2	DATS76A0
5	Spacer 6 × 20L	2	DEQR03A0
6	DU Bushing DUB1820	8	EX-BDU 182000
7	Carriage Bar	1	DARJ59A0
8	Link Pin A	1	P-34400
9	Base Cylinder	1	DZRR03A0
10	Main Link	1	DARE41A0
11	Sub Link (right)	1	DAQJ02A0
12	DU Bushing DUB1812	2	AEAN06A0
13	Sub Link Pin	1	G-01230
14	Sub Link (left)	1	DAQJ03A0
15	Sub Link Pin	1	DAQR03A0
16	Volume Adjust Knob	1	DAQR04A0
17	Bracket for Volume	1	DAQR05A0
18	Potentiometer	1	AFNA20A0
19	Spacer	2	DAQR06A0
20	Switch Plate	1	G-00870
21	Micro Switch	1	DNBR78A0
22	Clamp 3/4	2	AFNA67A0
23	Main Link Cover	1	DAQB02A0
24	Sub Link Cover	1	DAQE03A0
25	Sub Link Cover (lower)	1	HBBE06A0
26	Cylinder Pin (upper)	1	R-31950
27	Link Pin for Main Link	1	DAQJ05A0
28	Link Pin for Sub Link	1	DAQJ04A0
29	Bushing	2	Q-87030
30	Screw	0.02 m	X-70680
31	Flange	1	DACA16A0

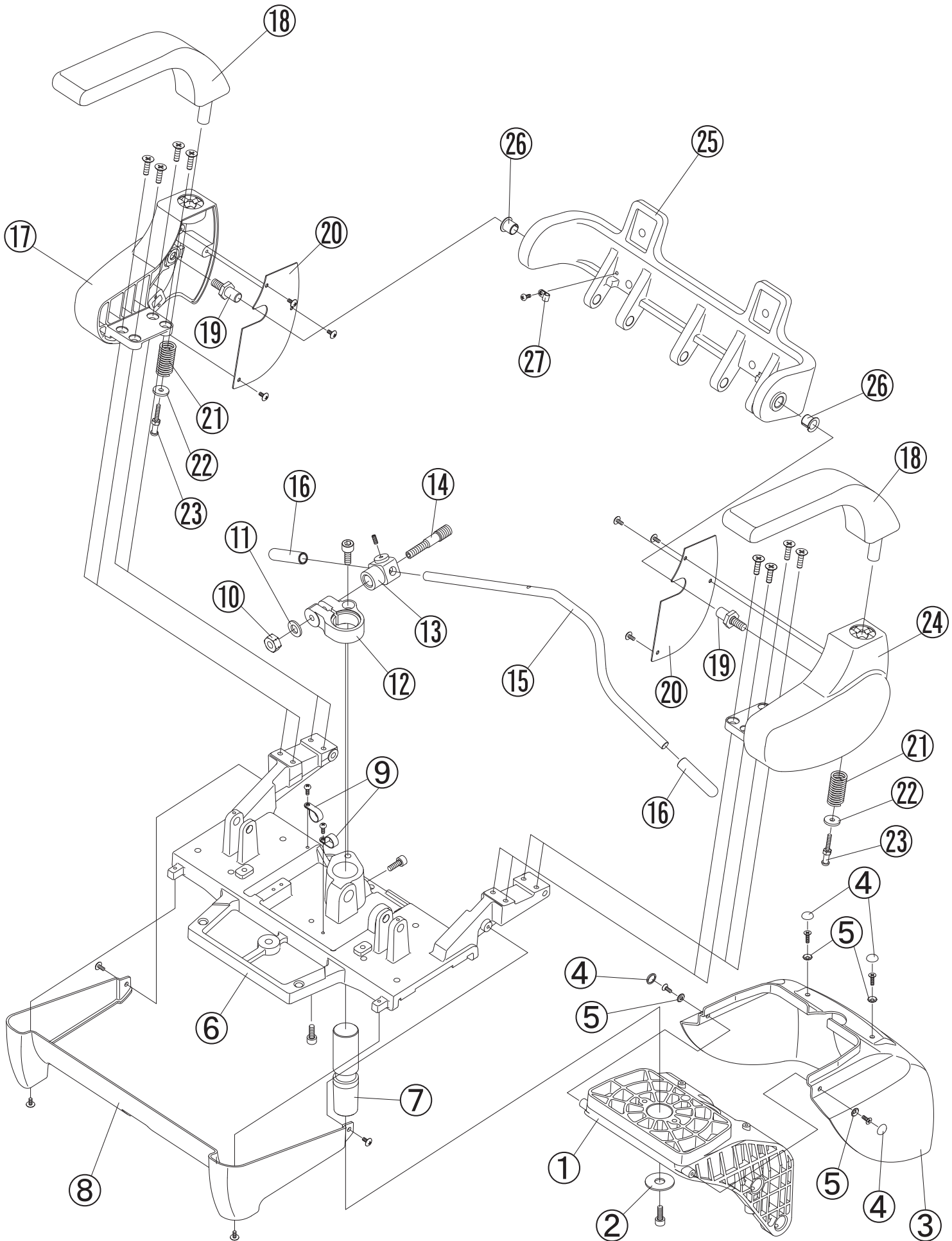
3 .LIFT MECHANISM SECTION



**Flange, Arm-rest
& Side Frame**

ID. NO.	Description	Qty	Parts No.
1	Flange	1	DACA16A0
2	Washer	1	F-16770
3	Flange Cover	1	HACE66A0
4	Cap for screw (white)	4	DEAS15A0
5	Washer (white)	4	DEAS14A0
6	Rotating Flange	1	DACA15A0
7	Rotating Shaft	1	DACR82A0
8	Rotating Flange Cover	1	HACE67A0
9	Clamp 5/8	2	XX-387240500
10	Lock-Nut	1	U-21020
11	Washer M12	1	
12	Clamping Body	1	X-65082
13	Lock-Nut	1	U-35392
14	Lock Shaft	1	F-61040
15	Lock Lever	1	DACE44A0
16	Lock Lever Cap	2	G-00500
17	Side Frame (right)	1	DACA13A0
18	Armrest	2	DARE44A0
19	Rotating Shaft	2	DACR80A0
20	Side Cover	2	DACJ54A0
21	Armrest Spring	2	Q-35050
22	Flat Washer	2	Q-35030
23	Screw	2	U-39190
24	Side Frame (left)	1	DACA14A0
25	Back Support	1	DACB24A0
26	DU Bushing DUF1415-22	2	AFNB07A0
27	Clamp	1	XX-387240010

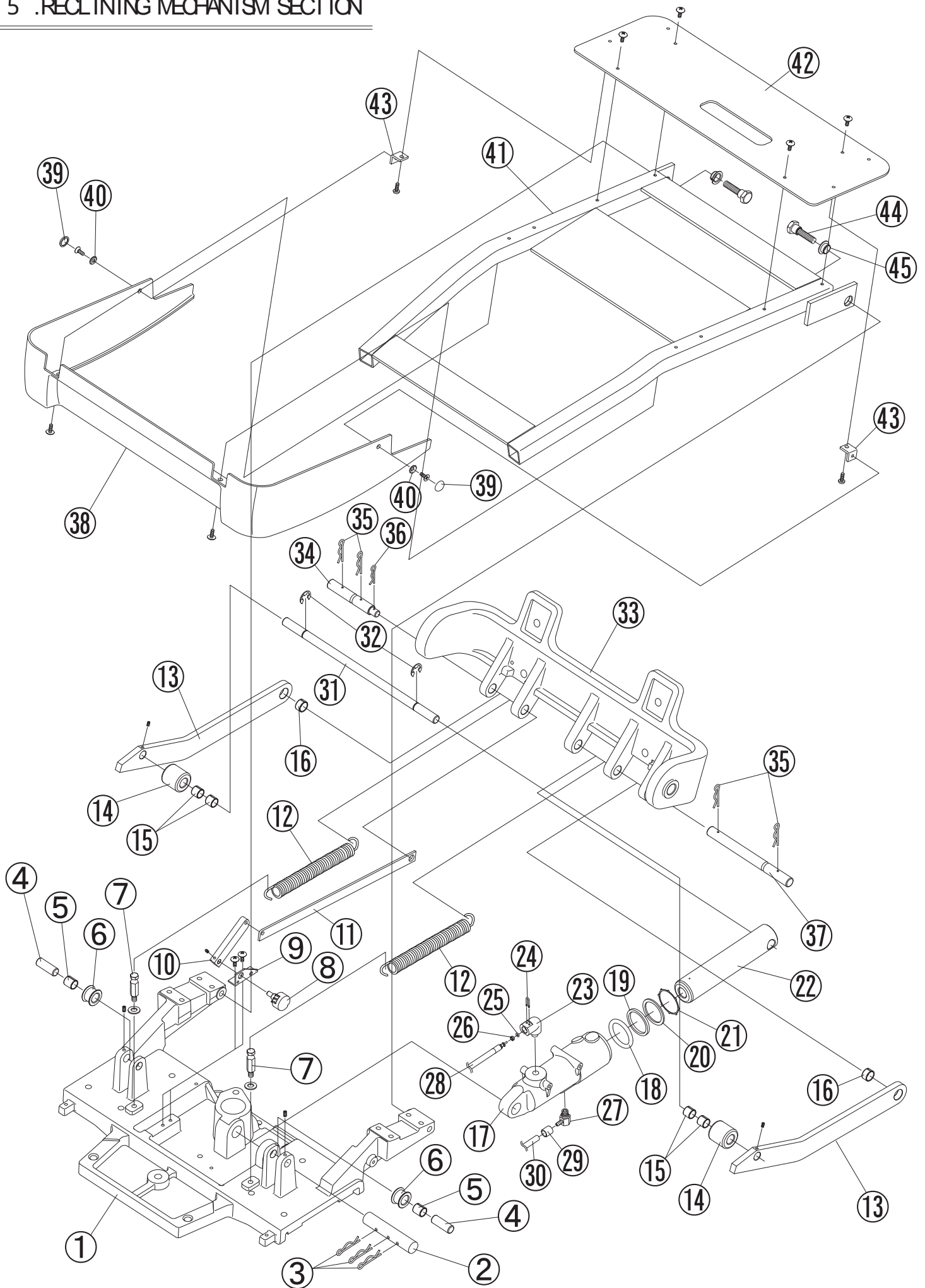
4 . FLANGE, ARM-REST & SIDE FRAME



Reclining Mechanism Section

ID. NO.	Description	Qty	Parts No.
1	Rotating Flange	1	DACA15A0
2	Reclining Cylinder Pin	1	U-3526
3	Cotter Pin	3	
4	Tilt Roller Pin	2	DACR81A0
5	DU Bushing DUB1215	2	AFNA87A0
6	Roller	2	DABR26A0
7	Hook for spring	2	U-35240
8	Potentiometer	1	AFNA20A0
9	Potentiometer Bracket	1	G-00940
10	Link for Volume (small)	1	U-37940
11	Link for Volume (large)	1	J-36830
12	Reclining Spring	2	G-01300
13	Tilt Bar	2	DACE36A0
14	Roller for Tilting	2	DARR16A0
15	DU Bushing DUB1212	4	EX-BDU 121200
16	DU Bushing DUB1408	2	DEMS40A0
17	Reclining Cylinder	1	DAPF04A0
18	O-Ring 5.5 × 34.6 × 45.6	1	F-61090
19	Hex-Ring 41.4 × 34.6 × 3.5	1	DEAS42A0
20	Felt Ring	1	F-61060
21	Felt Ring Retainer	1	F-61070
22	Ram Shaft (34.7 × 171L)	1	ERPJ03A0
23	Elbow (1/8)	1	SALA05A0
24	U-Pin	1	ABNL93A0
25	O-Ring	1	AEND86A0
26	O-Ring Retainer	1	AANF59A0
27	L-Joint	1	Q-33000
28	High Pressure Hose (to Solenoid Valve)	1	U-50350
29	Hose Sleeve	1	X-55140
30	High Pressure Hose (to Cylinder)	1	X-55130
31	Tilt Link Pin	1	DACJ57A0
32	E-Ring	2	
33	Back Support	1	DACB24A0
34	Pin for Reclining (small)	1	DACR79A0
35	Cotter Pin	4	
36	Cotter Pin	1	
37	Pin for Reclining (large)	1	DACJ55A0
38	Tilt Cover	1	HACE68A0
39	Cap for Screw (white)	2	DEAS15A0
40	Washer (white)	2	DEAS14A0
41	Seat Frame	1	DACB22A0
42	Seat Support Panel	1	DACE45A0
43	Bracket	2	R-34610
44	Bolt	2	DACR78A0
45	DU Bushing DUF1206-20	2	AFNB02A0

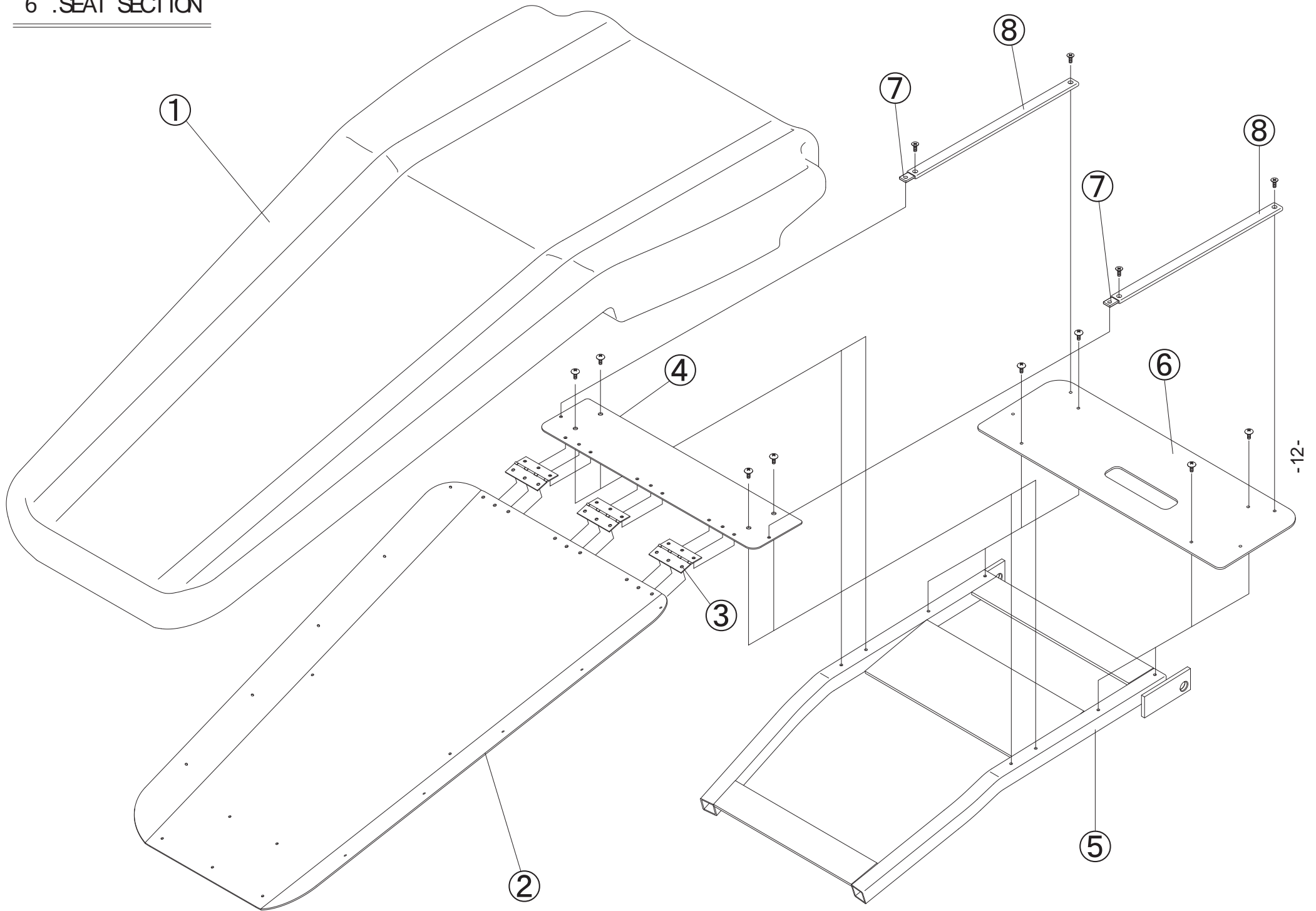
5 .RECLINING MECHANISM SECTION



Seat Section

ID. NO.	Description	Qty	Parts No.
1	Seat Cushion	1	
2	Metal Seat (front)	1	DAPB29A0
3	Hinge	3	X-67600
4	Metal Seat (middle)	1	DACE37A0
5	Seat Frame	1	DACB22A0
6	Seat Support Plate	1	DACE45A0
7	Velcro Plate	2	DACJ56A0
8	Velcro Strip	2	DACJ65A0

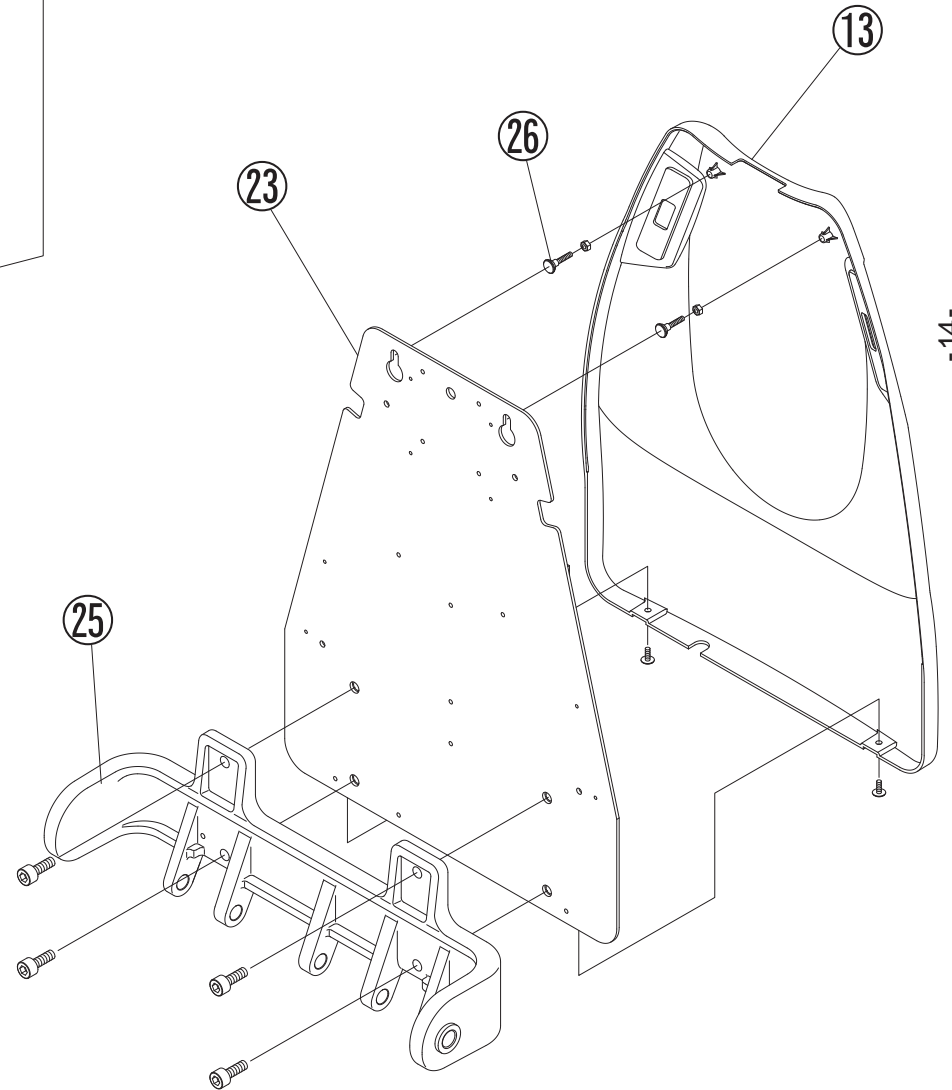
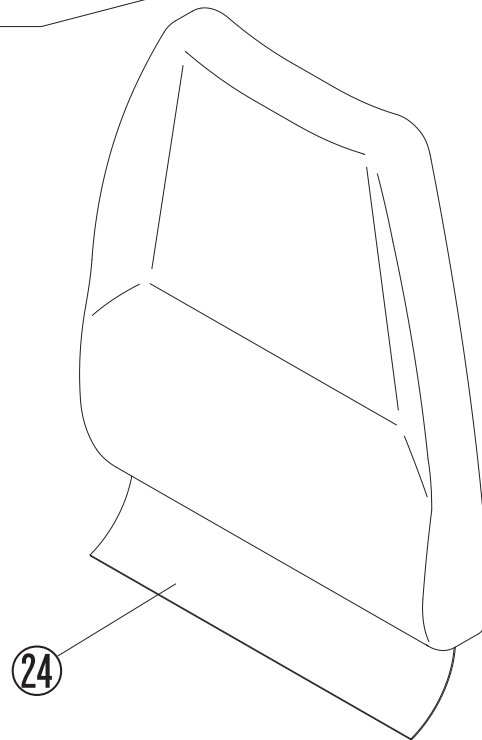
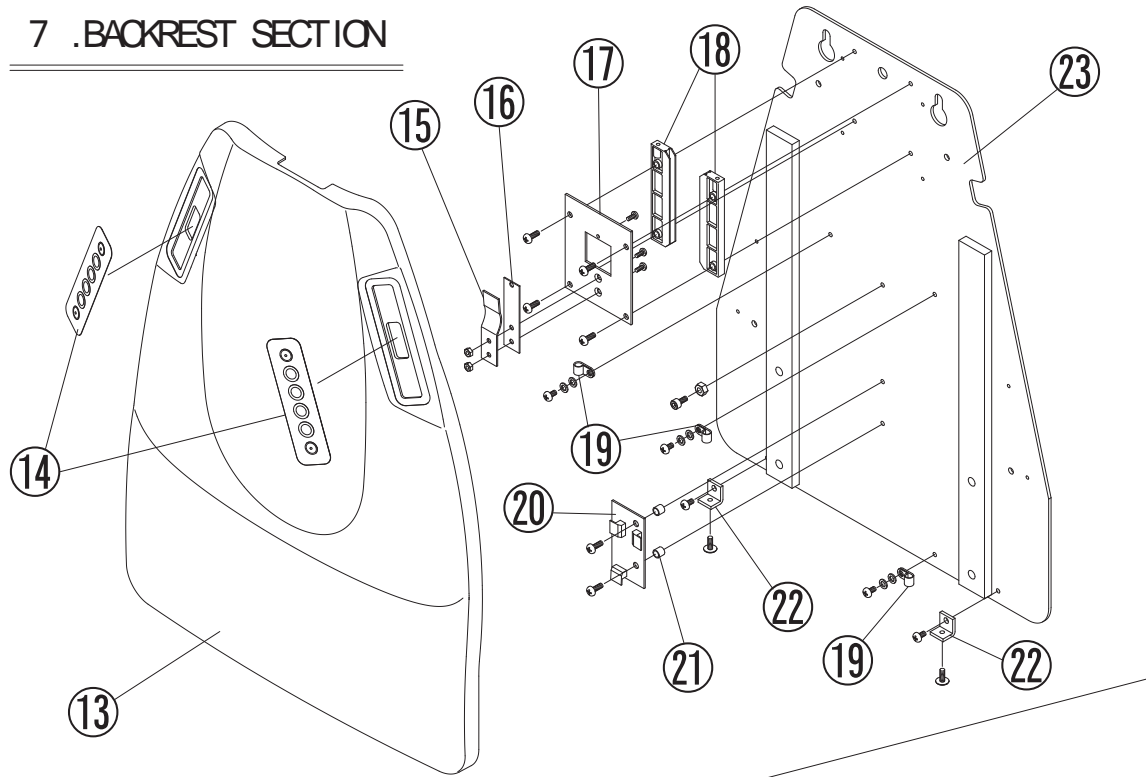
6 .SEAT SECTION



Backrest

ID. NO.	Description	Qty	Parts No.
14	Membrane Switch	2	DACJ53A0
15	Spring	1	S-37390
16	Rubbing Block	1	S-37400
17	Spring Plate	1	S-37380
18	Headrest Guide	2	U-35340
19	Clamp	3	XX- 387240010
20	Bracket for wire harness	1	DNRJ02A0
21	Spacer	2	X-63370
22	Bracket	2	R-34610
23	Backrest Frame	1	DACB23A0
24	Backrest Cushion	1	
25	Back Support	1	DACB24A0
26	Bolt	2	DAQR48A0

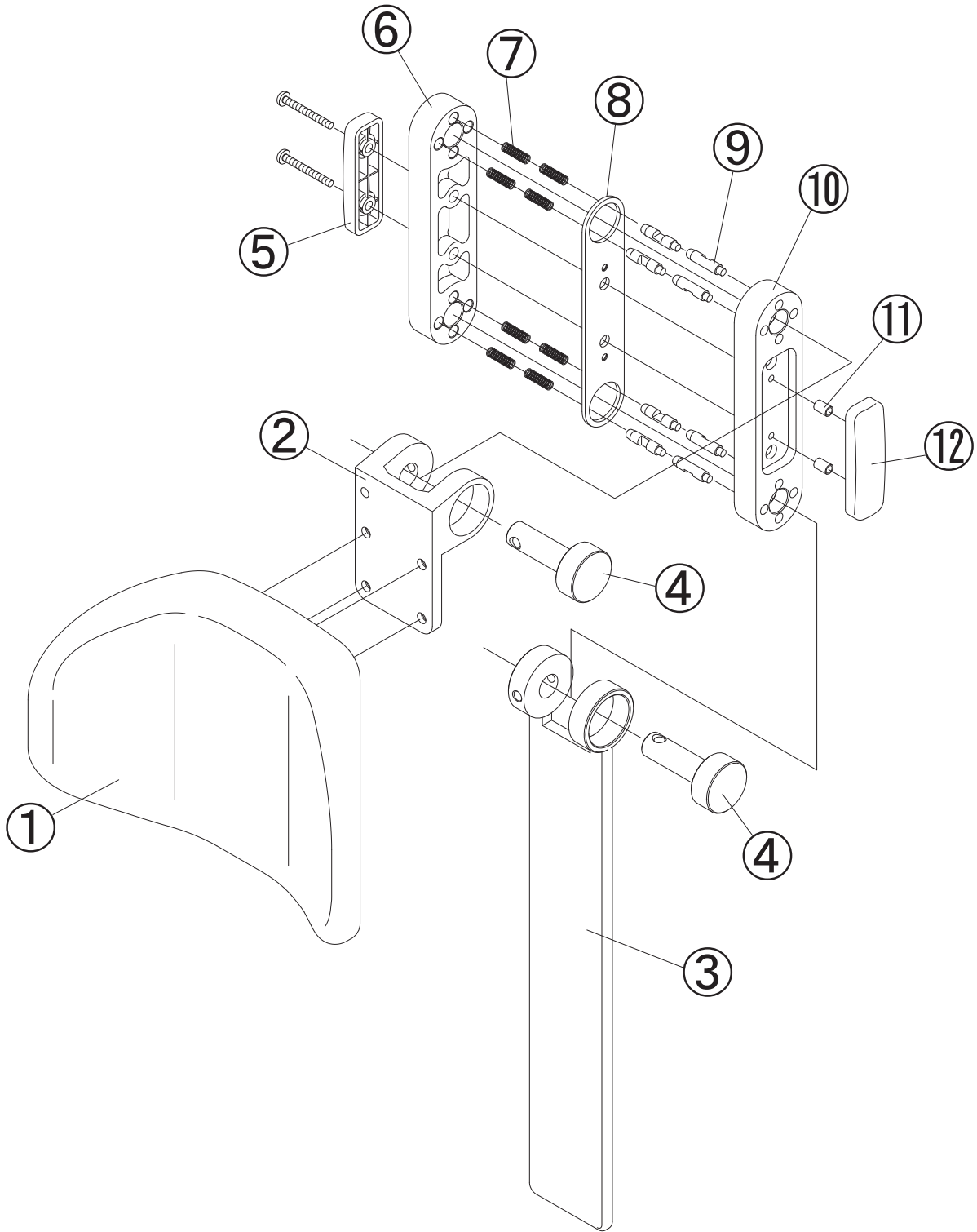
7 .BACKREST SECTION



Headrest

ID. NO.	Description	Qty	Parts No.
1	Headrest Cushion	1	
2	Headrest Knuckle	1	U-38001
3	Headrest Bar	1	J-36890
4	Link Pin	2	U-37960
5	Stationary Lever	1	DAOR61A0
6	Headrest Link (right)	1	J-36901
7	Spring	8	F-63590
8	Lock Plate	1	U-37950
9	Pin	8	U-37990
10	Headrest Link (left)	1	J-36911
11	Spacer	2	Q-87030
12	Headrest Release Lever	1	DAOR62A0

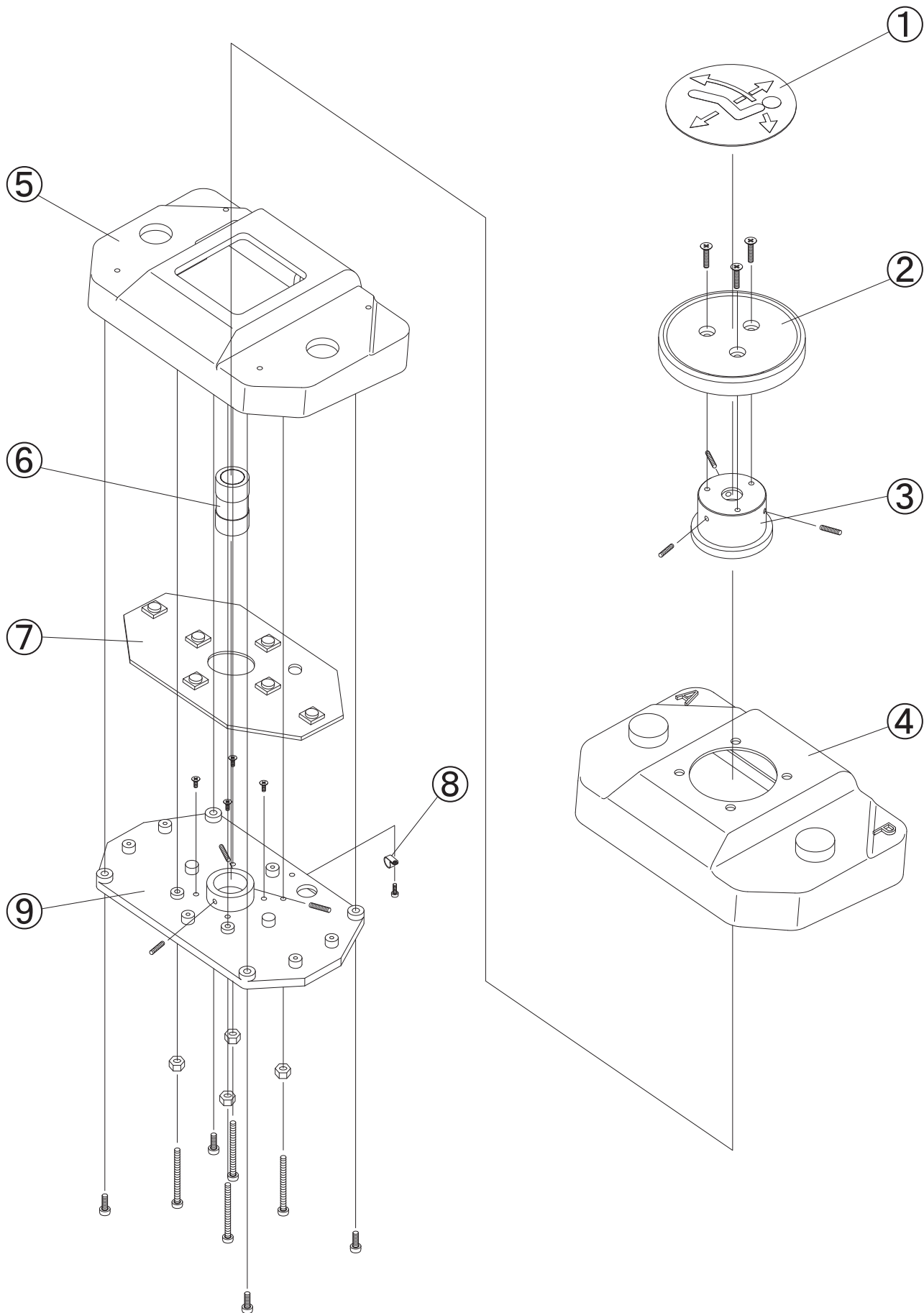
8 .HEADREST SECTION



Foot Control Switch

ID. NO.	Description	Qty	Parts No.
1	Label	1	R-32460
2	Disk	1	DAOJ76A0
3	Cap	1	U-31350
4	Rubber Cover	1	DAPE62A0
5	Foot Control Body	1	K-32750
6	Set Screw	1	U-31801
7	Foot Switch P.C. Board	1	X-78980
8	Clamp	1	XX- 387240010
9	Switch Plate	1	K-31910

9 .FOOT CONTROL SECTION



PC Board Section

ID. NO.	Description	Qty	Parts No.
1	Main P.C. Board	1	DNCJ06A0
2	Spacer	8	Q-87030
3	Mounting Plate for Main P.C. Board	1	DAQJ01A0
4	Relay PC Board	1	X-81150
5	P.C.B. Cover	1	M-30030
6	Transformer	1	X-28010
7	Capacitor 45 μ F (220VA)	1	AATP26A0
8	P.C.B. Box Case	1	DARE10A0

1 0 .PC-BEARD SECTION

